



Bathtub - Madison

Hand shower set with individual flanges - polished chrome

Article number: 27 803 361-00 0010

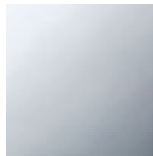


- Ø 2-1/2"
- Standard spray mode
- Descaling system
- 1/2" Shower outlet
- Wall elbow with flange Ø 2-1/8"
- Wall bracket with flange Ø 2-5/8"
- Metal shower hose 49-1/4" with anti-twist device
- 1/2" wall elbow
- Water flow rate limited to max. 1.8 gpm

Codes & Standards

- California Energy Commission (CEC)

- Internal backflow preventer.

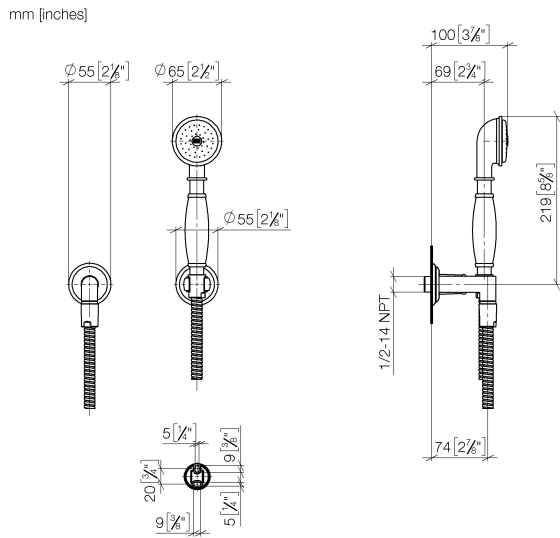


polished chrome



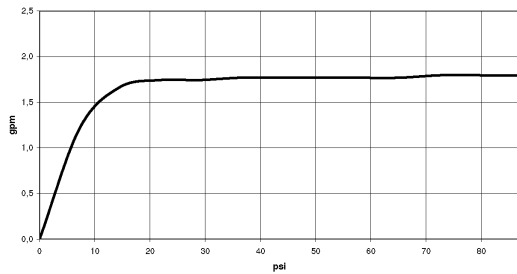
Bathtub - Madison
Hand shower set with individual flanges - polished chrome
Article number: 27 803 361-00 0010

Dimensional drawing



All dimensions in mm / inch = mm x 0,0394

Flow rate chart





Bathtub - Madison

Hand shower set with individual flanges - polished chrome

Article number: 27 803 361-00 0010

Other surface finishes



platinum matte

27 803 361-06 0010



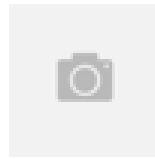
platinum

27 803 361-08 0010



Durabrass

27 803 361-09 0010



Brushed Durabrass

27 803 361-28 0010



Dark Platinum matte

27 803 361-99 0010

More custom finish options are available via special production (xTra Service). Please see our finish matrix for availability and pricing or contact a Dornbracht representative.



35 080 970-90 0010

Rough-in adapter -

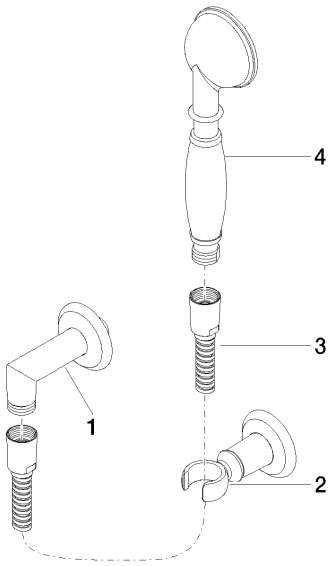


Bathtub - Madison

Hand shower set with individual flanges - polished chrome

Article number: 27 803 361-00 0010

Spare parts list



Number	Item Number	Designation	Number of units
1	28 450 410-00 0010	Wall elbow - polished chrome	1
2	28 050 361-00	Wall bracket - polished chrome	1
3	28 104 970-00	Metal shower hose 1/2" x 1/2" x 49-1/4" - polished chrome	1
4	28 002 970-00 0010	Metal hand shower with porcelain (white) handle - polished chrome	1